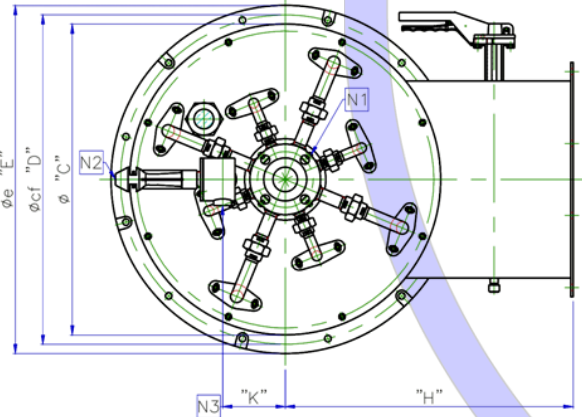
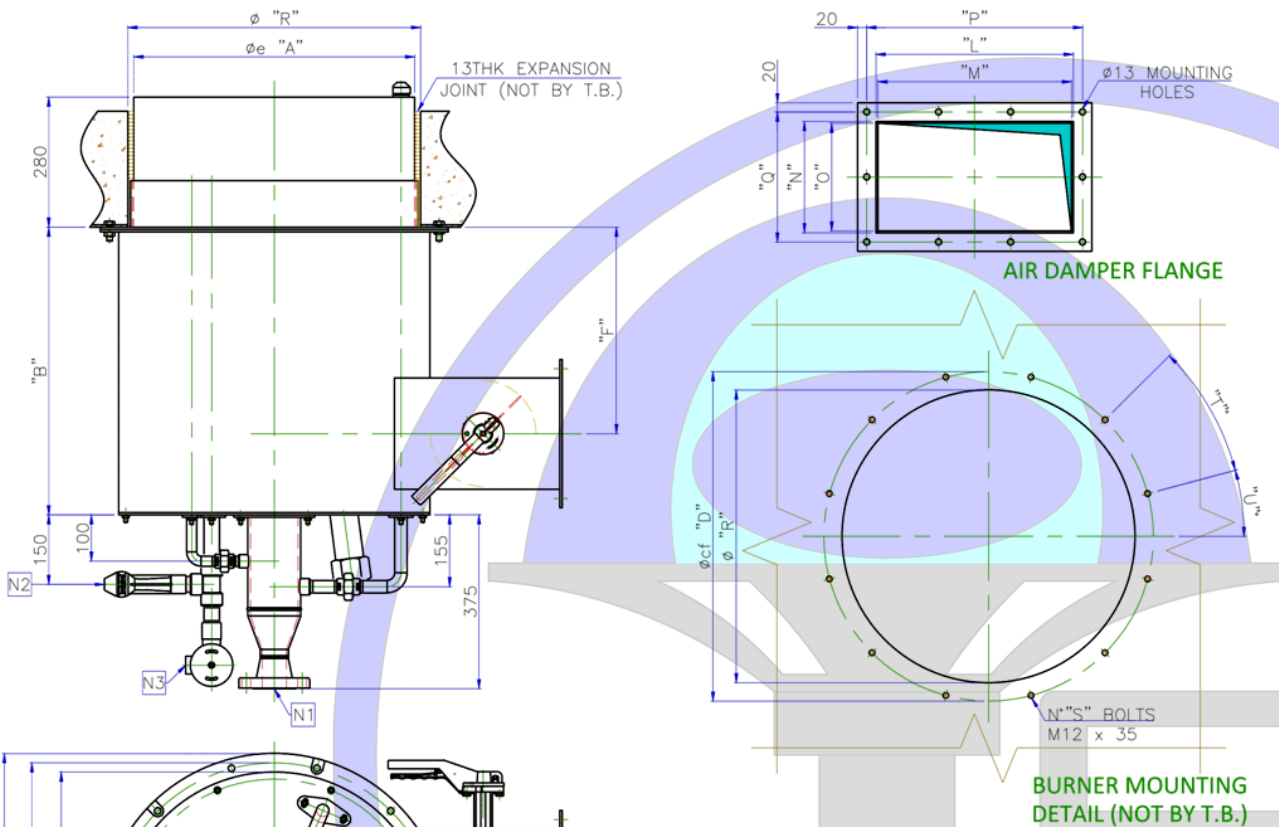




Forced Draft Burner – Gas Only
Ultra Low NOx

TFG-AGS-FD

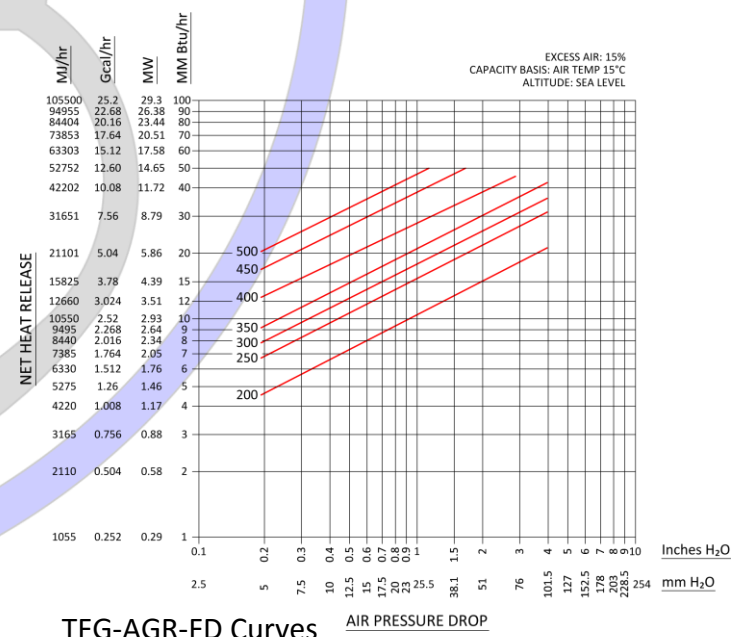
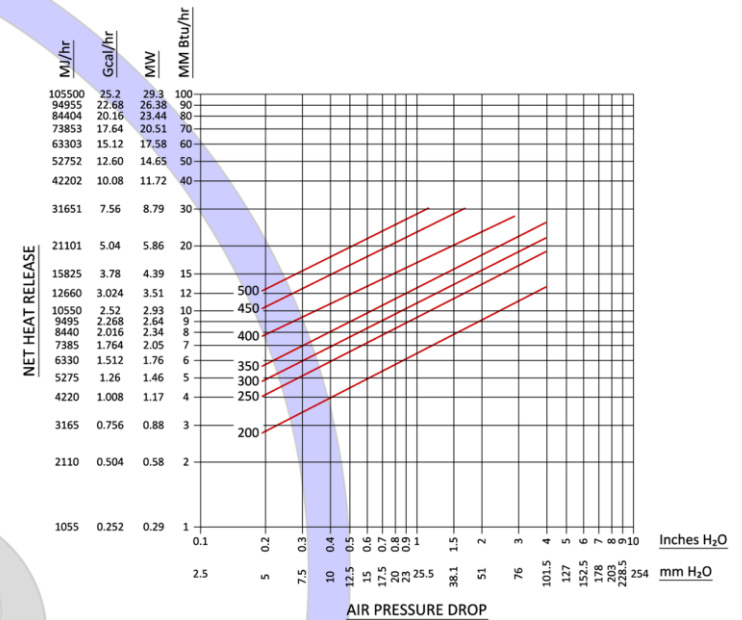


NOZZLE LEGEND

ITEM	Q.TY	DESCRIPTION	CONNECTION
N1	1	FUEL GAS INLET FLANGE	Ø2" 150# W.N. R.F.
N2	1	PILOT GAS INLET CONN.	Ø½" NPT FEMALE
N3	1	ELECTRICAL SPARK PLUG CONN.	Ø1" GAS FEMALE

DIMENSION LIST								
SIZE	"A"	"B"	"C"	"D"	"E"	"F"	"H"	"L"
200	550	605	645	685	725	425	610	410
250	605	620	670	710	750	445	620	425
300	630	655	695	735	775	460	650	470
350	655	705	720	760	800	485	690	515
400	705	780	770	810	850	525	670	585
450	755	860	820	860	900	565	715	655
500	810	910	875	915	955	590	750	740

Dimensions only for TFG-AGS-ND								
SIZE	"M"	"N"	"O"	"P"	"Q"	"R"	"S"	"U"
200	402	250	242	3 Sp. at 150=450	2 Sp. at 145=290	576	12	15
250	417	240	232	3 Sp. at 155=465	2 Sp. at 140=280	631	12	15
300	462	270	262	4 Sp. at 127.5=510	2 Sp. at 155=310	656	12	15
350	507	320	312	4 Sp. at 140=560	3 Sp. at 120=360	681	12	15
400	577	390	382	4 Sp. at 157.5=630	3 Sp. at 145=435	731	16	11.25
450	647	460	452	5 Sp. at 139=695	4 Sp. at 125=500	781	16	11.25
500	732	490	482	5 Sp. at 156=780	4 Sp. at 135=540	836	16	11.25



TFG-AGR-FD Curves
Flue Gas Recirculation Burner