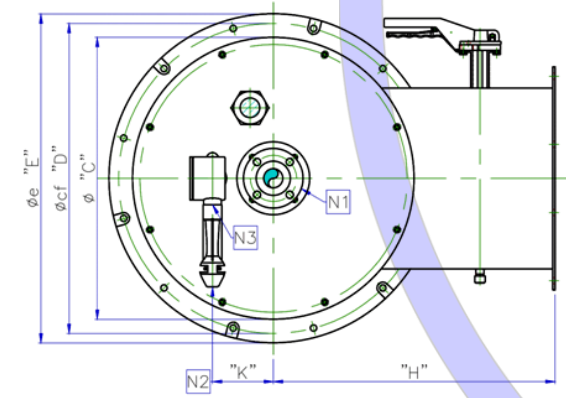
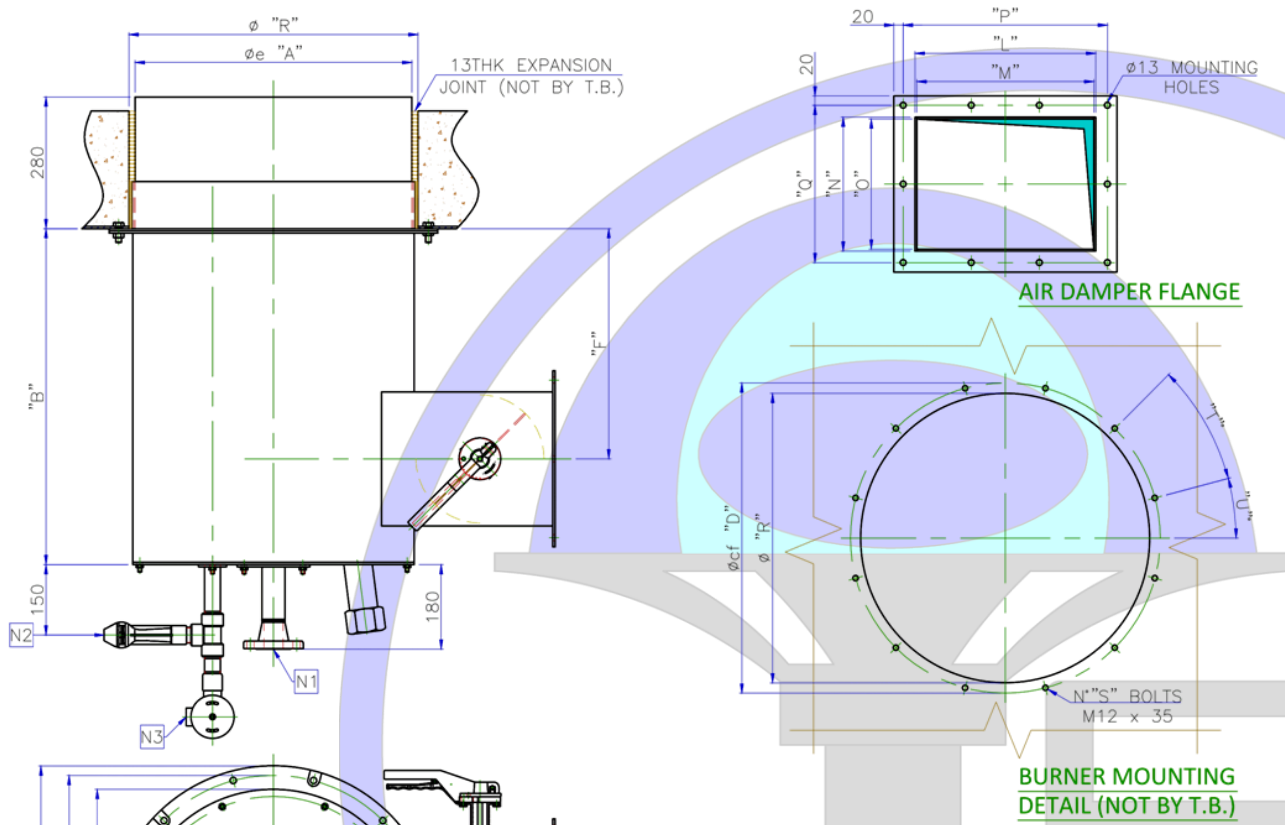




Forced Draft Burner – Gas Only
Low Nox

TFG-AS-FD



ITEM	Q.TY	DESCRIPTION	CONNECTION
N1	1	FUEL GAS INLET FLANGE	Ø "Z" 150# W.N. R.F.
N2	1	PILOT GAS INLET CONN.	Ø½" NPT FEMALE
N3	1	ELECTRICAL SPARK PLUG CONN.	Ø1" GAS FEMALE

SIZE	250	300	350	400	450	500
"Z"	1½"	1½"	2"	2"	3"	3"

DIMENSION LIST									
SIZE	"A"	"B"	"C"	"D"	"E"	"F"	"H"	"K"	"L"
250	590	715	600	660	700	490	600	130	385
300	640	715	650	710	750	490	600	130	385
350	690	750	700	760	800	505	650	130	475
400	740	890	750	810	850	575	630	130	485
450	790	965	810	860	900	615	675	170	535
500	860	970	880	930	970	615	675	170	545

SIZE	"M"	"N"	"O"	"P"	"Q"	"R"	"S"	"T"	"U"
250	377	285	277	3 Sp. at 145=435	2 Sp. at 167.5=335	616	12	30	15
300	377	285	277	3 Sp. at 145=435	2 Sp. at 167.5=335	666	12	30	15
350	467	320	312	3 Sp. at 175=525	2 Sp. at 180=360	716	12	30	15
400	477	460	452	3 Sp. at 175=525	3 Sp. at 170=510	766	16	22.5	11.25
450	527	535	527	4 Sp. at 145=580	4 Sp. at 145=580	816	16	22.5	11.25
500	537	535	527	4 Sp. at 145=580	4 Sp. at 145=580	886	16	22.5	11.25

